

Media: air – water – steam – light oil
 Pressure range: 0.3 to 16 bar max
 Media temperature: -15°C +200° C max
 Ambient temperature: -15° to +60° C
 Media viscosity: 50 centistokes max
 Mounting: any position
 Full Open / closing time 3 – 5sec max

Pilot Float Valves



TYPE BFF

PRESSURE

Ø Port PN16	Ø Orifice (mm)	Weight Kg	Flow Rate Cv Ltr/ min	Dimensions		Part Number	List Price			
				L	A		FC20 Cast Iron	Ductile Iron Epoxy Coated	Bronze	316 Stainless
2	50	10	1250	190	95	BFF50 + material	£183.13	£256.93	£366.26	£549.39
2 1/2	65	13	1750	210	100	BFF65 + material	£278.80	£388.13	£519.33	£762.59
3	80	16	2300	225	115	BFF80 + material	£363.53	£535.73	£727.06	£1087.85
4	100	22	4300	250	127	BFF100 + material	£497.46	£754.39	£997.65	£1495.12
5	125	30	6500	280	150	BFF125 + material	£803.59	£1104.25	£1585.31	£2629.43
6	150	42	9167	310	165	BFF150 + material	£1085.12	£1451.38	£2170.24	£3255.36
8	200	85	16667	420	205	BFF200 + material	£2697.77	£3318.23	£5398.27	£8096.03
10	250	150	26667	470	240	BFF250 + material	£5756.33	£6343.99	£8194.43	£10140.54
12	300	200	36667	530	275	BFF300 + material	£8538.83	£9126.49	£12100.32	£14027.30

OPTIONS

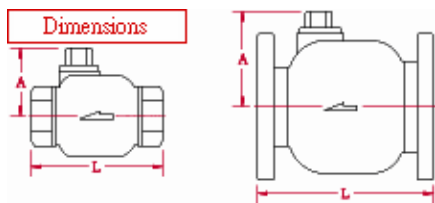
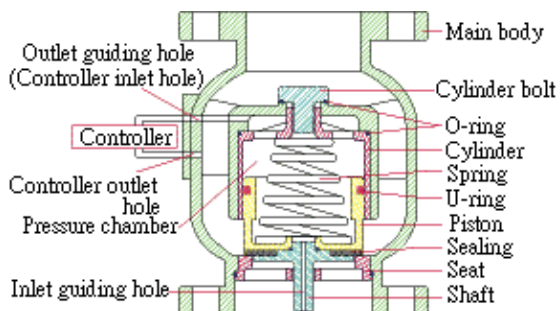
Flange JIS-10K, 20K; ANSI-150LB; PN10 + 25 (Others options TBA) +10%

REPAIR KIT

Diaphragm Seal

Valve part number + seal material

OVERALL DIMENSIONS



	Materials + Pressure Specifications			
Main body	Cast iron	Ductile Epoxy	Bronze	St. St.
Cylinder bolt	Brass	Brass	Brass	St. St.
O-Ring	NBR	NBR	NBR	Request
Cylinder	Bronze	Bronze	Bronze	St. St.
Spring	St. St.	St. St.	St. St.	St. St.
U- ring	NBR	NBR	NBR	Request
Piston	Bronze	Bronze	Bronze	St. St.
Sealing	NBR	NBR	NBR	Request
Seat	Bronze	Bronze	Bronze	St. St.
Shaft	Bronze	Bronze	Bronze	St. St.
Controller	Brass	Brass	Brass	St. St.
Working	12 Bar	20 Bar	12 Bar	22 Bar
Test	21 Bar	32 Bar	21 Bar	35 Bar

