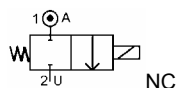


Media: mains gas -air  
 Pressure range: 0 to 360 mbar max  
 Media temperature: 60° C max  
 Ambient temperature: -15 to +60° C  
 Mounting: coil upright  
 Opening – Closing Time: 1 Sec Max



# 2/2 Aluminium

## N/CLOSED

### EN161 (Gas) Approved

### 2 WAY DIRECT ACTING

## TYPE EVN



#### PRESSURE

Ø Port	Ø Orifice (mm)	Power Consumption		Pressure Rating (mbar)		Part Number	List Price
		Watts AC	Watts DC	Min ΔP	Max ΔP mBar AC/DC		
1/2 BSP	15	25	16	0	200	VRM12OT + voltage	£61.50
3/4 BSP	20	45	30	0	200	EVNC02 + voltage	£192.70
1 BSP	25	45	30	0	200	EVNC03 + voltage	£209.10
1 1/4 BSP	32	80	65	0	200	EVNC32 + voltage	£258.30
1 1/2 BSP	40	80	65	0	200	EVNC05 + voltage	£258.30
2 BSP	50	80	65	0	200	EVNC06 + voltage	£418.20
2 1/2 PN16	65	50	10	0	200	EVNC21/2FL + voltage	£1135.70
3 PN16	80	50	10	0	200	EVNC3FL + voltage	£1230.00
4 PN16	100	80	20	0	200	VMR9A4FL + voltage	£1820.40

#### OPTIONS

Connector PG9 – DIN 43650 A Coil IP54 Flow Adjustment Closed Position Indicator Switch (Not available for 1/2 version) 360 mBar version Manual Reset	Included Included Included +£93.00 +10% TBA
Thermal Link (Auto heat/Fire shut off triggered at 82°C - remote mounting) Emergency Knock Off Button (remote mounted Yellow box with Red button) Gas Detector (Remote Auto shut off device) Limit switch	+£24.60 +£32.80 +£738.00 TBA

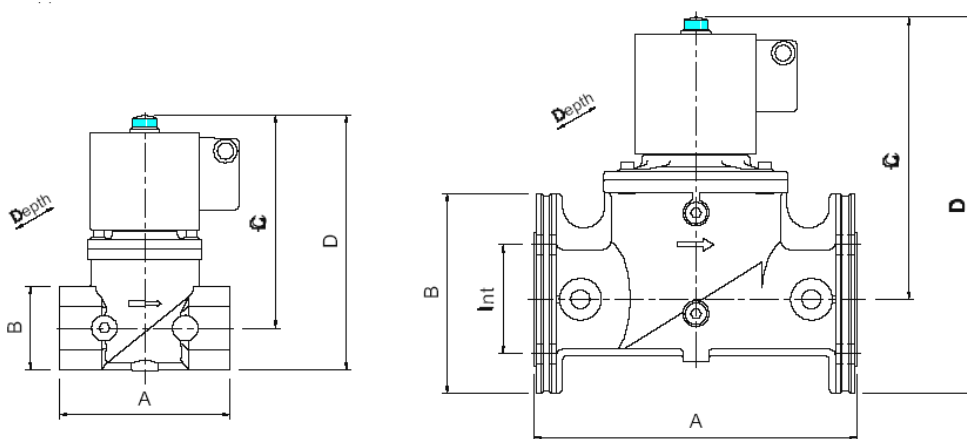
#### CONSTRUCTION

Body: Aluminium, (Except VMR1- Brass)  
 Tube and internal parts: Stainless steel  
 Seals and gaskets: NBR  
 Moulded coil: Resin

#### DIMENSIONS

VRM + EVNC02 - 06

VNC21/2FL to VMR9A4FL



Model	A	B	C	D	E	F	G	Int	Depth	Holes
VRM1	77	32	148	1/2	164	60			70	
EVNC02	96	46	158	3/4	180	60			85	
EVNC03	96	46	158	1	180	60			85	
EVNC32	153	65	188	1 1/4	220	60			120	
EVNC05	153	65	188	1 1/4	220	60			120	
EVNC06	156	77	192	2	230	60			106	
EVNC21/2FL	308	190	234	65	322	18	19	145	200	4
EVNC3FL	308	190	234	80	322	18	19	160	200	8
VMR9A4FL	350	220	270	100	405	18	19	180	252	8