

Media: Water
 Pressure: Bronze: 12 Bar max
 Pressure: Ductile Iron: 12 Bar max
 Pressure: Stainless: 20 Bar max
 Media temperature: -5°C +80°C max
 Media viscosity: 50 centistokes max
 Mounting: any position

Anti Water Hammer

1/2 - 4" & DN65 to DN300

Ductile Iron – Bronze - Stainless

In Line I Series

0 to 12 or 20 Bar

TYPE AIT + AIF



PRESSURE

Ø Port BSP	Air Chamber CM ³	Dimensions		Part Number				
		H	D					
1/2	17	74	46	AIT15 + body material				
3/4	30	82	52	AIT20 + body material				
1	63	95	62	AIT25 + body material				
1 1/2	205	120	110	AIT40 + body material				
2	650	162	135	AIT50 + body material				
2 1/2	1125	180	155	AIT65 + body material				
3	2000	218	188	AIT80 + body material				
4	4400	260	238	AIT100 + body material				
Flange PN16								
DN80	2000	218	188	AIF80 + body material				
DN100	4400	260	238	AIF100 + body material				
DN125	5535	330	330	AIF125 + body material				
DN150	15325	420	400	AIF150 + body material				
DN200	27230	510	460	AIF200 + body material				
DN250	27230	510	460	AIF250 + body material				
DN300	67860	625	625	AIF300 + body material				

OPTIONS

Pressure Gauge for AIF, (AIT no pressure gauge option available)
 Other thread NPT or RC and Flange JIS10K, JIS20K, ANSI150Lb, PN10 or PN25
 Custom made seal options for acid and alkali or hot media, higher pressures or sizes available upon request

CONSTRUCTION

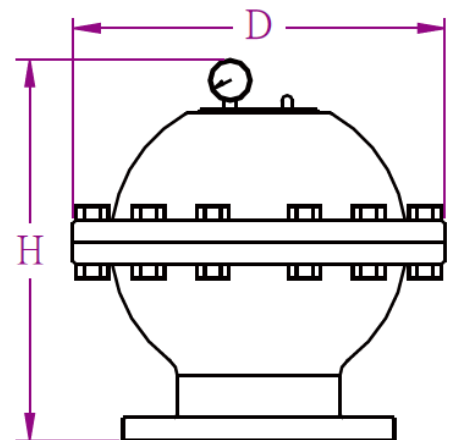
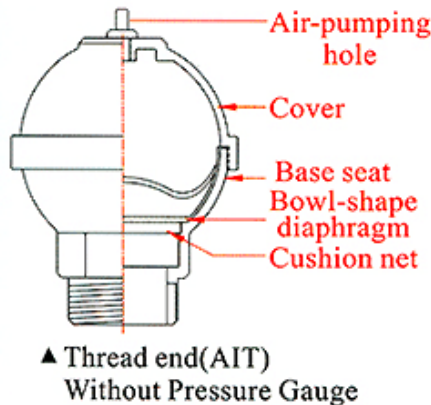
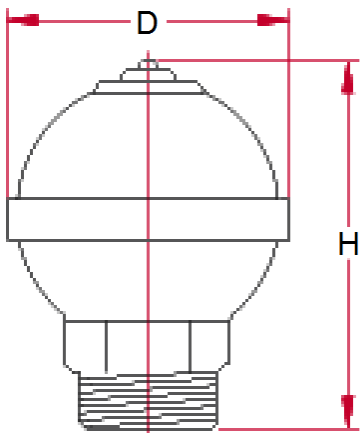
Body: BRONZE (Pressure tested to 21 Bar); Ductile Iron with Epoxy Coating (tested to 21 Bar), 304 or 316 Stainless Steel (tested to 42 Bar)
 Seals: NBR

REPAIR KIT

Diaphragm Seal

Valve part number + seal material

OVERALL DIMENSIONS



I Style Hammer Arrestor

These hammer arrestors can be mounted in any position. For Acid or Alkali or Oil we can offer custom made seal materials to suit. For special temperature applications please ask.