

Media: Water
 Pressure Rating: 20 Bar Max
 Pressure: (0.2 – 4), (2 - 8) or (4 - 12)Bar
 Media temperature: -15°C +80°C max
 Media viscosity: 50 centistokes max
 Mounting: any position

Pressure Reducing Valve

DN50 – DN300

Ductile Iron Epoxy Coated

PILOT ASSISTED

(0.2 - 4), (2 - 8) or (4 - 12) Bar

TYPE BFR-DE



PRESSURE

Ø Port PN16	Ø Orifice (mm)	Flow Cv	Max Inlet Pressure (Bar)	Part Number Pressure Reducing Adjustment Range Options: (0.2 – 4), (2 – 8) or (4 – 12) Bar
DN50	50	37	20	BFR50DE + pressure range
DN65	65	85	20	BFR65DE + pressure range
DN80	80	110	20	BFR80DE + pressure range
DN100	100	150	20	BFR100DE + pressure range
DN125	125	230	20	BFR125DE + pressure range
DN150	150	450	20	BFR150DE + pressure range
DN200	200	580	20	BFR200DE + pressure range
DN250	250	910	20	BFR250DE + pressure range
DN300	300	1300	20	BFR300DE + pressure range
DN350	350	1800	20	BFR350DE + pressure range
DN400	400	2300	20	BFR400DE + pressure range

OPTIONS

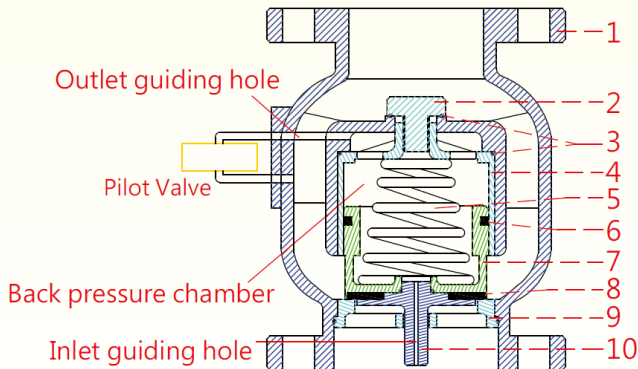
Pressure Regulator PRV controller Brass
 Pressure gauge (Displays outlet Pressure)
 Pressure adjusting range (0.2 to 4 Bar), (2 to 8 Bar) or (4 to 12 Bar)
 Other flange options JIS10K, ANSI150Lb, JIS20K, PN10, PN20
 Other custom made sizes (up to 56" DN1400), higher pressures and other media and seal options available upon request

REPAIR KIT

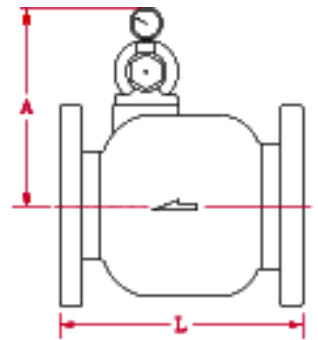
Piston U Ring Pressure Reducing Controller	SP + Valve Part Number + U RING BFRB + pressure range
---	--

OVERALL DIMENSIONS

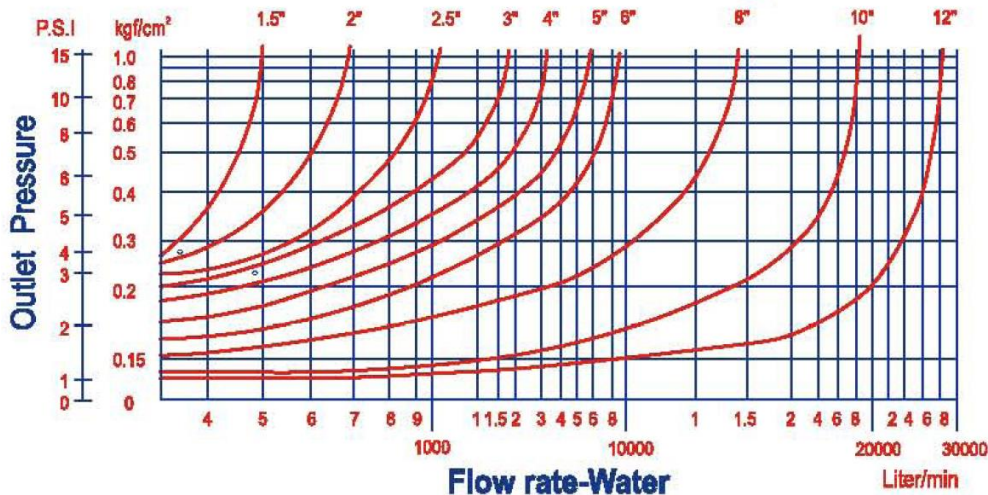
Pressure reducing valve will reduce and maintain a stable set outlet pressure regardless of inlet pressure changes to prevent pipeline and equipment damage caused by accidental over pressure. Outlet pressure is displayed by external pressure gauge.



No	Description	Material
1	Main body	Ductile Iron
2	Cylinder bolt	Ductile Iron
3	O-Ring	NBR
4	Cylinder	Bronze
5	Spring	304 Stainless
6	U- ring	NBR
7	Piston	Bronze
8	Sealing	NBR
9	Seat	Bronze
10	Shaft	Bronze



Flow Chart of Pressure Reducing Valve



Item	Kg	Dimensions (mm)	
		L	A
BFR50	12	190	130
BFR65	15	212	140
BFR80	18	225	155
BFR100	24	250	165
BFR125	32	284	180
BFR150	44	310	215
BFR200	87	420	235
BFR250	152	470	280
BFR300	202	535	310
BFR350		600	350
BFR400		600	355