

Media: water
 Pressure Rating: 20 Bar Max
 Pressure: (0.2 - 4), (2 - 8) or (4 - 12) Bar
 Media temperature: -15°C +80°C max
 Media viscosity: 50 centistokes max
 Mounting: any position

Pressure Reducing Valve

DN50 – DN300

Stainless Steel 304 or 316

PILOT ASSISTED

(0.2 – 4), (2 – 8) or (4 – 12) Bar

TYPE BFR-S



PRESSURE

Ø Port PN16	Ø Orifice (mm)	Flow Cv	Max Inlet Pressure (Bar)	Part Number Pressure Reducing Adjustment Range Options: (0.2 – 4), (2 – 8) or (4 – 12) Bar		
DN50	50	37	20	BFR50 + body material + pressure range		
DN65	65	85	20	BFR65 + body material + pressure range		
DN80	80	110	20	BFR80 + body material + pressure range		
DN100	100	150	20	BFR100 + body material + pressure range		
DN125	125	230	20	BFR125 + body material + pressure range		
DN150	150	450	20	BFR150 + body material + pressure range		
DN200	200	580	20	BFR200 + body material + pressure range		
DN250	250	910	20	BFR250 + body material + pressure range		
DN300	300	1300	20	BFR300 + body material + pressure range		

OPTIONS

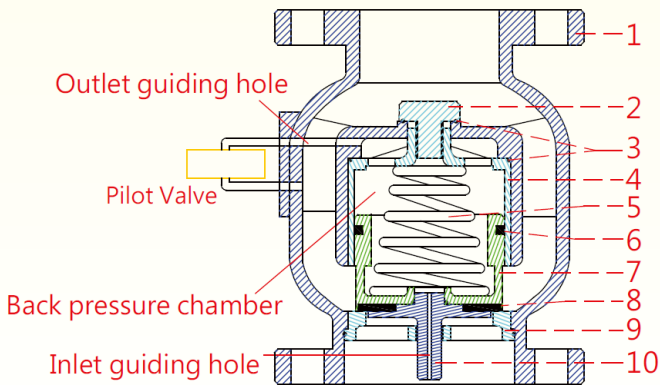
Pressure Regulator PRV Controller Stainless steel
 Pressure gauge (Displays outlet Pressure)
 Pressure adjusting range (0.2 to 4 Bar) or (2 to 8 Bar) or (4 to 12 Bar)
 Other flange options ANSI150Lb, JIS10K, JIS20K, PN10, PN20
 Other custom made sizes (up to 56" DN1400), higher pressures and other media (acid- alkali – oil) options available upon request

REPAIR KIT

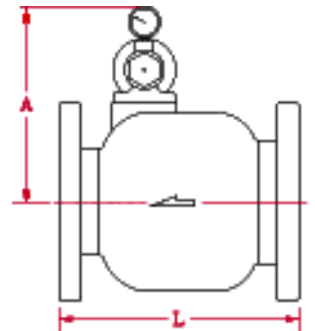
Piston U Ring	SP + Valve Part Number + U RING
Pressure Reducing Controller	BFRS + pressure range

OVERALL DIMENSIONS

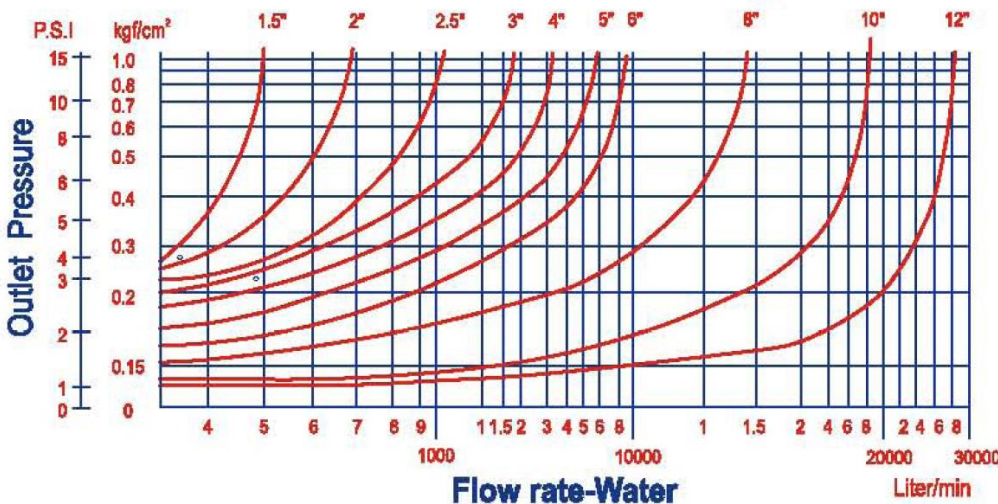
Pressure reducing valve will reduce and maintain a stable set outlet pressure regardless of inlet pressure changes to prevent pipeline and equipment damage caused by accidental over pressure. Outlet pressure is displayed by external pressure gauge.



No	Description	Material
1	Main body	Stainless Steel
2	Cylinder bolt	Stainless Steel
3	O-Ring	NBR
4	Cylinder	Stainless Steel
5	Spring	304 Stainless
6	U- ring	NBR
7	Piston	Stainless Steel
8	Sealing	NBR
9	Seat	Stainless Steel
10	Shaft	Stainless Steel



Flow Chart of Pressure Reducing Valve



Item	Kg	Dimensions (mm)	
		L	A
BFR50	12	190	130
BFR65	15	212	140
BFR80	18	225	155
BFR100	24	250	165
BFR125	32	284	180
BFR150	44	310	215
BFR200	87	420	235
BFR250	152	470	280
BFR300	202	535	310
BFR350		600	350
BFR400		600	355