

Media: air – water – gas – light oil - vacuum
 Pressure range: 0 to 14 bar max
 Media temperature: 120° C max
 Ambient temperature: -15° to +50° C max
 Media viscosity: 50 centistokes max
 Mounting: any position
 Opening or Closing Time: 20 mSec Max



3/2 Brass

1/8 – 1/4

NORMALLY CLOSED 3 WAY DIRECT ACTING

0 – 14 Bar

TYPE BT1



PRESSURE

Ø Port BSP	Orifice (mm)		Flow Kv Ltr/Min	Min	Pressure Rating (bar) ΔP Max				Seals	Part Number	
					822P5 6.2 Watt Coil		830P6 6.8 Watt Coil				
	Base	Top			Function 1	Function 2	F1	F2			
1/8	1.0	1.0	0.5	0	7	10	10	14	6 Watt Coil NBR +80°C FKM +90°C Max	BT031 + seal + voltage + coil	
	1.2		0.83	0	6		7			BT032 + seal + voltage + coil	
	1.6		1.5	0	5		6			BT033 + seal + voltage + coil	
	2.0	1.5	2.3	0	4	5	10	BT034 + seal + voltage + coil			
	2.4		3.0	0	3	4	BT035 + seal + voltage + coil				
1/4	1.0	1.0	0.5	0	7	10	10	6.8 Watt Coil NBR +80°C FKM +120°C		BT061 + seal + voltage + coil	
	1.2		0.8	0	6		7			14	BT062 + seal + voltage + coil
	1.6		1.0	0	5		6			BT063 + seal + voltage + coil	
	2.0	1.2	1.5	0	4	5	10			BT064 + seal + voltage + coil	
	2.4		2.3	0	3	4	10			BT065 + seal + voltage + coil	

OPTIONS

Connector PG9 – DIN 43650 A
 ATEX 22001EX Coil: ATEX EExmII T4 II 2G & 2D IP65 T130°C (Pressure same as 6 Watt 822P5 coil)
 NPT Thread
 830P6 High Power 6.8 Watt Coil
 FKM seal

ELECTRICAL DATA

Voltage (-8% + 8%) Continuous duty 100%	Coil	Power Consumption		Insulation class	Enclosure	Electrical connections
		Inrush	Holding			
~ 24 - 48 - 110 – 230 (50/ 60Hz)	822P5	13VA	9.3VA	H 180°C	IP 65 with connector	3 spades DIN 43650A DIN 40050 VDE 0110
= 12 - 24 (DC)		6.2 Watts				
~ 24 - 48 - 110 - 240 - 380 (50/ 60Hz)	830P6	15VA	10.5VA			
= 12 - 24 – 48 – 240 (DC)		6.8 Watts				

CONSTRUCTION

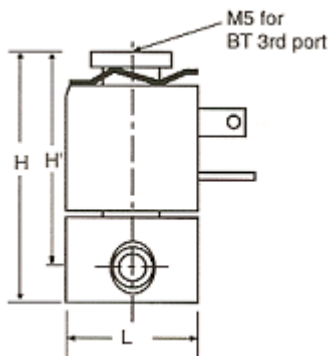
Body: Brass
 Exhaust: M5
 Tube and internal parts: Stainless steel
 Seals and gaskets: NBR or FKM
 Moulded coil: Resin

REPAIR KIT

Coil	Coil size (822P5 or 830P6) + voltage
Armature	SP + Valve Part Number -ARMATURE

OVERALL DIMENSIONS

BT03



	L	H	H1	W	Grams
BT03	22	58	51	22/30	150
BT06	32	61	53	22/30	150

BT06

