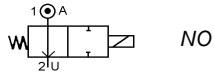


Media: CO2 – Nitrogen – Inergen - Argon
 Pressure range: 0 to 400 Bar max
 Media temperature: 80°C max
 Ambient temperature: -20°C to +50°C max
 Media viscosity: 40 centistokes max
 Mounting: Any position
 Weight (including coil): 500g
 Opening or closing time: 30 mSec max



2/2 Stainless

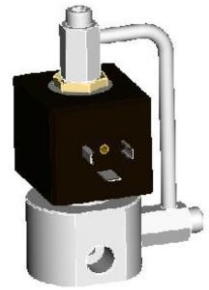
1/8 – 1/4

NORMALLY OPEN

2 WAYS DIRECT ACTING

0 – 400 Bar

TYPE EN52090 - 91



PRESSURE

Ø Port BSP	Ø Orifice (mm)	Flow Kv Ltr/Min	Pressure Rating ΔP (Bar)		Seals	Part Number
			Min	Max		
1/8	0.4	0.1	0	400	PEEK	EN52091-04-85 + voltage
1/4	0.4	0.1	0	400	PEEK	EN52090-04-85 + voltage

OPTIONS

IP65 Coil & Connector DIN 43650 A PG9
 NPT 1/8 + 1/4 thread
 Explosion Proof Enclosure ATEX II 2 G/D EexdIICT6, IP65

ELECTRICAL DATA

Voltage (-10% + 15%) Continuous duty 100%	Coil	Power Consumption		Insulation class	Enclosure	Electrical connections
		Inrush	Holding			
~ 24 - 48 - 110 - 230 (50 or 60 Hz)	31037	48VA	24VA	F 155°C	IP 65 with connector	3 spades DIN 43650A DIN 40050 VDE 0110
= 12 - 24 - 48 (DC)		13 W				

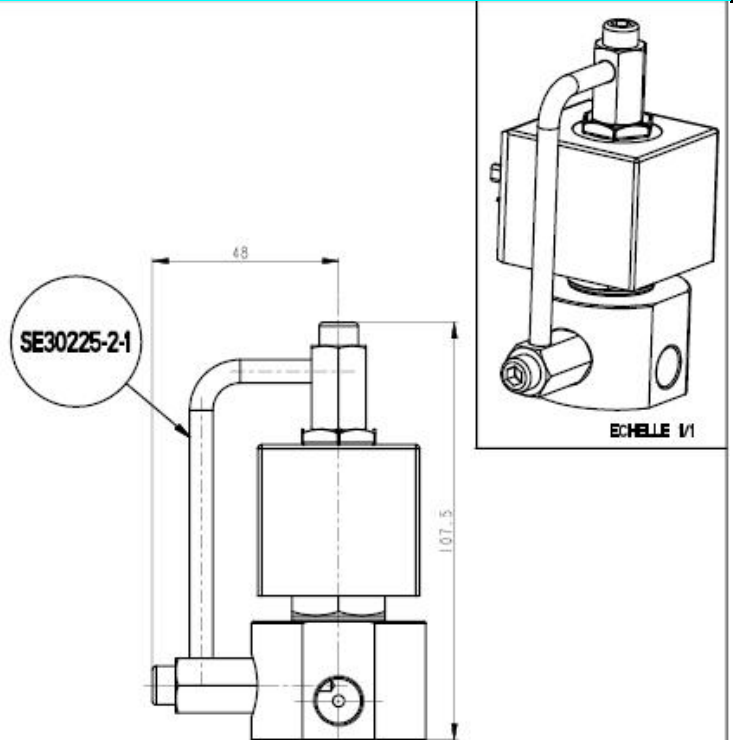
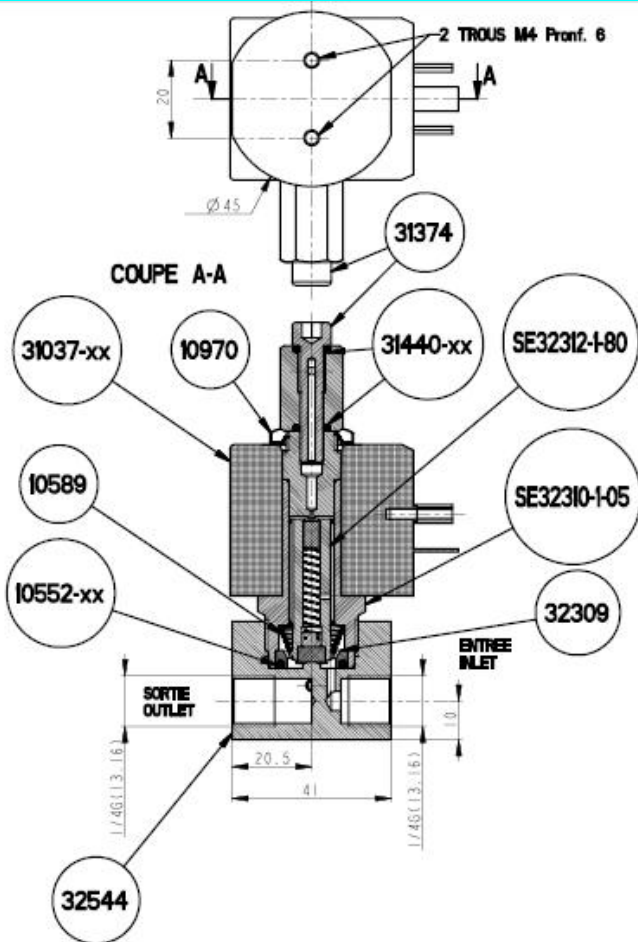
CONSTRUCTION

Body, tube and internal parts: Stainless Steel
 Seals and gaskets: PEEK
 Moulded coil: resin

REPAIR KIT

Coil	31037 + voltage
Complete plunger	KIT + valve part number

OVERALL DIMENSIONS



NWT008	CREATION DU PLAN	A	15-Jan-10	ADS
N°	NOM	MATRE DE LA DES MODIFICATIONS		ML
MATRE:	DIVERS	PROTECTION:	ETAT DE SURFACE SUIVANT ISO 4287/1	3.2/ Ra
YOLORS GENERALS DES PIECES MECANQUES SANS REVISIONS CONTRAIES				3/2
COTES: 1:50 - 1:10 - 1:50/1:20 - 1:10/1:20 - 1:10/1:20 - 1:10/1:20 - 1:10/1:20 - 1:10/1:20 - 1:10/1:20 - 1:10/1:20 - 1:10/1:20 - 1:10/1:20				ENVAISSAGE
EN5.SUP:	EN52090	DESIGN:	SOLENOID VALVE	ongles mouches
SCALE:	1/1/10	PLAN CAO	EV 2/2 NO 1/4G DN0.5 INOX	
SE PLAN EST LA PROPRIETE DE SA ET N'EST PAS REPRODUIRE, COMMUNIQUE GRATUITEMENT				formal
DESSEIN PAR:	DA SILVA	VERIFE PAR:	A DA SILVA	A3
DATE:	15-Jan-10	DATE:	15-Jan-10	