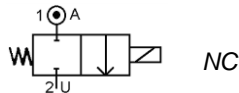


Media: vacuum - air - water
 Pressure range: 0 to 2 Bar max
 Media temperature: -10°C +60°C
 Ambient temperature: -20°C to +60°C
 Media viscosity: 50 centistokes max
 Mounting: coil upright
 Open: 250-500 Close: 500-1000 mSec



2/2 Bronze + Cast Iron

DN65 – DN100
 NORMALLY CLOSED
 2 WAY ZERO RATED
 0 – 2 Bar
 TYPE LK



PRESSURE

Ø Port PN16	Ø Orifice (mm)	Flow Kv Ltr/ min	Pressure Rating (Bar)		Seals	Body Material	Part Number
			Min	Max			
21/2	80	1367	0	2	NBR	Bronze	LK65B-NBR + voltage
3	80	1616	0	2	NBR	Bronze	LK80B-NBR + voltage
4	100	2833	0	1	NBR	Cast Iron	LK100C-NBR + voltage

OPTIONS

IP65 Coil + Connector PG9 – DIN 43650 A
 ANSI150Lb, JIS10K or other flange
 FKM Seals

ELECTRICAL DATA

Voltage (-10% + 10%) Continuous duty 100%		Coil	Power Consumption		Insulation class	Enclosure	Electrical connections
			Inrush	Holding			
~	110 – 230v (50/60 Hz) (Rectified)	22007	30VA		F 155°C	IP 65 with connector	3 spades DIN 43650 DIN 40050 VDE 0110
=	24 – 96 – 196v (DC)		30 Watts				

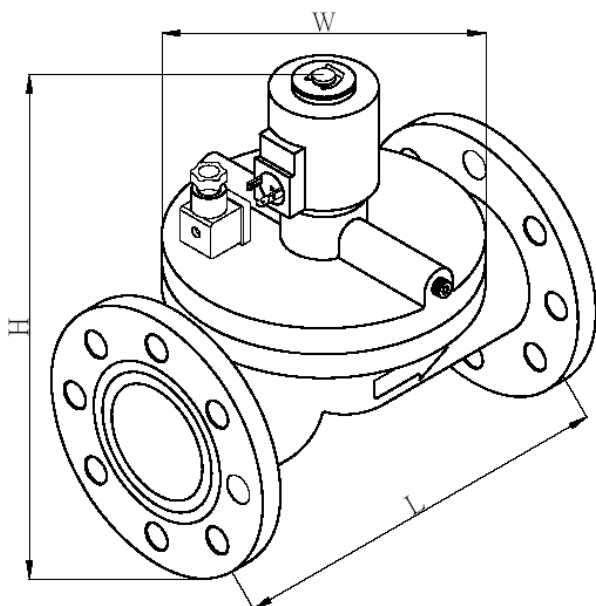
CONSTRUCTION

Body: Bronze or Cast Iron
 Tube and internal parts: Stainless steel
 Seals and gaskets: NBR
 Moulded coil: Resin

REPAIR KIT

Diaphragm Seal	SP + Valve Part Number – DIAPHRAGM
Coil	22007 + voltage
Armature	SP + Valve Part Number – ARMATURE

OVERALL DIMENSIONS



Model	LK65	LK80	LK100
Port	65	80	100
L	290	290	340
H	336	336	391
W	210	210	270
Kg	21Kg	21Kg	36Kg