

Media: air – water
 Pressure: Inlet 10 Bar max
 Pressure: Outlet 0.2 to 1.5 Bar
 Media temperature: -15°C to +80°C max
 Ambient temperature: +80°C max
 Media viscosity: 40 centistokes max
 Mounting: Gauge upright, stem down

Low Pressure Reducing Valve

1/2 – 2" DN15-50

316 STAINLESS STEEL

DIRECT ACTING

0.2 – 1.5 Bar

TYPE RELT / RELF



PRESSURE

Ø Port BSP	Flow Cv	Pressure Rating (Bar)			Part Number		
		Max Inlet (Bar)	Adjustable Pressure Reducing Range				
			Minimum	Maximum			
1/2	1.44	10	0.2	1.5	RELT15S + seal		
3/4	5.38	10	0.2	1.5	RELT20S + seal		
1	6.58	10	0.2	1.5	RELT25S + seal		
1 1/2	12.57	10	0.2	1.5	RELT40S + seal		
2	14.96	10	0.2	1.5	RELT50S + seal		
Ø Port Flange PN16							
DN15	1.44	10	0.2	1.5	RELF15S + seal		
DN20	5.38	10	0.2	1.5	RELF20S + seal		
DN25	6.58	10	0.2	1.5	RELF25S + seal		
DN32	12.57	10	0.2	1.5	RELF32S + seal		
DN40	12.57	10	0.2	1.5	RELF40S + seal		
DN50	14.96	10	0.2	1.5	RELF50S + seal		

OPTIONS

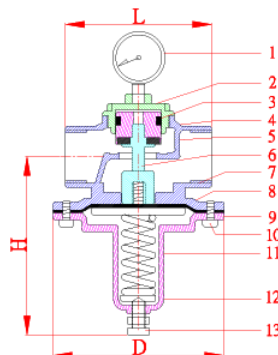
Pressure Gauge (316 Stainless steel) displays outlet pressure
 NPT or Rc thread, ANSI150Lb or JIS10K flange
 Other custom made seal, media and pressure options available upon request

CONSTRUCTION

Body, Piston & shaft: 316 stainless steel, Seals: NBR or Viton, Spring: steel, Fixing bolts and adjusting stem: 304 stainless steel
 Test Pressure: 16 Bar

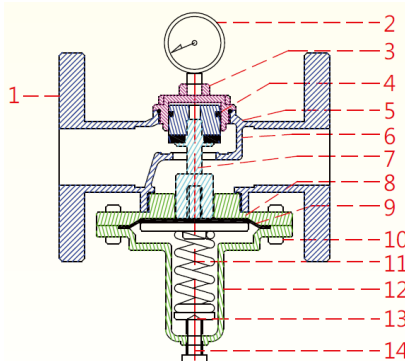
OVERALL DIMENSIONS

NO	Part Name	Material
1	Gauge	Stainless Steel
2	Upper cover	Stainless Steel 316
3	U-Ring	Viton or EPDM
4	Piston	Stainless Steel 316
5	Sealing spacer	NBR or Viton
6	Shaft	Stainless Steel 316
7	Main body	Stainless Steel 316
8	Diaphragm	NBR or Viton
9	Lower cover	Stainless Steel 316
10	Fixed bolt	Stainless Steel 304
11	Spring	Spring steel
12	Washer	Brass
13	Adjusting stem	Stainless Steel 304



Part No:	Port	H mm	L mm	D	Kg
RELT15	1/2	110	70	105	1.3
RELT20	3/4	125	85	105	1.5
RELT25	1	125	90	105	1.6
RELT40	1 1/2	155	115	145	3
RELT50	2	155	120	145	4

NO	Part Name	Material
1	Main Body	Stainless Steel 316
2	Gauge	Stainless Steel
3	Upper cover	Stainless Steel 316
4	U-Ring	Viton or EPDM
5	Piston	Stainless Steel 316
6	Sealing spacer	NBR or Viton
7	Shaft	Stainless Steel 316
8	Diaphragm disc	Stainless Steel 316
9	Diaphragm	NBR or Viton
10	Fixed bolt	Stainless Steel 304
11	Spring	Spring steel
12	Lower cover	Stainless Steel 316
13	Washer	Brass
14	Adjusting stem	Stainless Steel 304



Part No:	Port	H mm	L mm	Kg
RELF15	DN15	110	150	2.5
RELF20	DN20	125	150	3.5
RELF25	DN25	125	150	5.6
RELF40	DN40	155	190	8.7
RELF50	DN50	155	190	13.5