

Media: water
 Pressure: Inlet 10 Bar max
 Pressure range: 0.03 to 0.15 Bar
 Media temp: -15°C to +80°C max
 Ambient temperature: +80°C max
 Mount: Gauge upright, stem down

Micro Pressure Reducing Valve

1/2 – 2" or DN15 – DN50
316 STAINLESS STEEL
DIRECT ACTING
 0.03 – 0.15 Bar
TYPE REMT + REMF



PRESSURE

| Ø Port BSP | Flow Cv | Pressure Rating (Bar) | | Part Number | | | |
|------------|---------|-----------------------|--|-------------|----------------|--|---------|
| | | Max Inlet (Bar) | Adjustable Pressure Reducing Range (Bar) | | | | |
| | | | Minimum | | | | Maximum |
| 1/2 | 2.4 | 10 | 0.03 | 0.15 | REMT15S + seal | | |
| 3/4 | 9.0 | 10 | 0.03 | 0.15 | REMT20S + seal | | |
| 1 | 11.0 | 10 | 0.03 | 0.15 | REMT25S + seal | | |
| 1 1/2 | 21.0 | 10 | 0.03 | 0.15 | REMT40S + seal | | |
| 2 | 25.0 | 10 | 0.03 | 0.15 | REMT50S + seal | | |

Ø Port PN16 Flange

| | | | | | | |
|------|------|----|------|------|----------------|--|
| DN15 | 2.4 | 10 | 0.03 | 0.15 | REMF15S + seal | |
| DN20 | 9.0 | 10 | 0.03 | 0.15 | REMF20S + seal | |
| DN25 | 11.0 | 10 | 0.03 | 0.15 | REMF25S + seal | |
| DN32 | 21.0 | 10 | 0.03 | 0.15 | REMF32S + seal | |
| DN40 | 21.0 | 10 | 0.03 | 0.15 | REMF40S + seal | |
| DN50 | 25.0 | 10 | 0.03 | 0.15 | REMF50S + seal | |

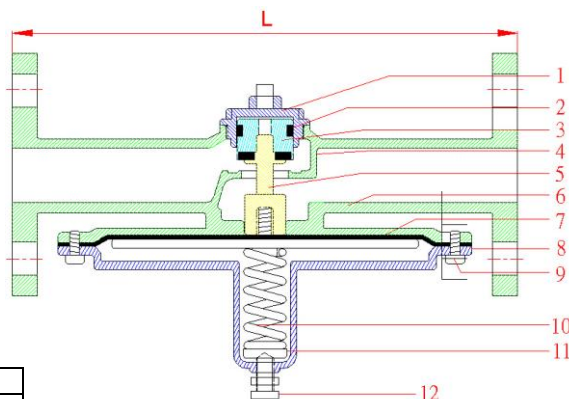
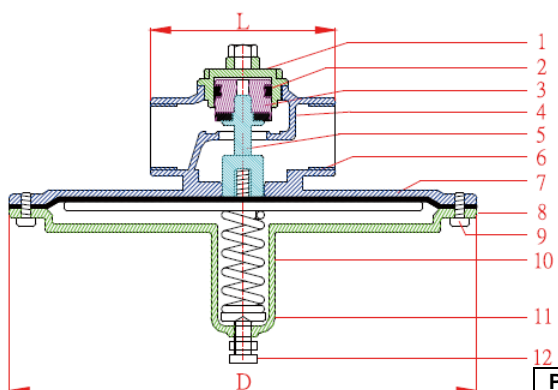
OPTIONS

Pressure Gauge (316 Stainless steel)
 Other ANSI150Lb, JIS10K flange or NPT and Rc thread options
 Other custom made media, pressure and seal options available upon request

CONSTRUCTION

Body, Piston & shaft: 316 stainless steel
 Seals: NBR or FKM, Diaphragm Nylon /EPDM
 Spring: steel
 Fixing bolts and adjusting stem: 304 stainless steel
 Body Test Pressure: 16 Bar

OVERALL DIMENSIONS



| Part No: | Port | L mm | D |
|----------|-------|------|-----|
| REMT15 | 1/2 | 70 | 310 |
| REMT20 | 3/4 | 85 | 310 |
| REMT25 | 1 | 90 | 310 |
| REMT40 | 1 1/2 | 115 | 310 |
| REMT50 | 2 | 120 | 310 |
| REMF15 | DN15 | 420 | |
| REMF20 | DN20 | 420 | |
| REMF25 | DN25 | 420 | |
| REMF40 | DN40 | 420 | |
| REMF50 | DN50 | 420 | |

| No | Part | Material | No | Part | Material |
|----|-----------|---------------------|----|--------------|---------------------|
| 1 | Cover | Stainless steel 316 | 7 | Diaphragm | Nylon - EPDM |
| 2 | U Ring | NBR or FKM | 8 | Spring cover | Stainless steel 316 |
| 3 | Piston | Stainless steel 316 | 9 | Stem | Stainless steel 304 |
| 4 | Sealing | NBR or FKM | 10 | Spring | Spring steel |
| 5 | Shaft | Stainless steel 316 | 11 | Washer | Brass |
| 6 | Main body | Stainless steel 316 | 12 | Stem | Stainless steel 304 |

