

Media: air – water  
 Back pressure range: 0.02 - 0.2 Bar  
 Media temperature: -15°C to +80°C max  
 Ambient temperature: +80°C max  
 Media viscosity: 40 centistokes max  
 Mounting: any position

# Pressure Sustaining Valve

1/2 – 2" or DN15 – DN50  
**STAINLESS STEEL**  
 2 WAY DIRECT ACTING  
 0.02 to 0.2 Bar  
**TYPE RFMT + RFMF**



## PRESSURE

Ø Port BSP	Flow Cv	Adjustable Pressure Sustaining Range (Bar)		Part Number
		Minimum	Maximum	
1/2	2.4	0.02	0.2	RFMT15S + seal material
3/4	9.0	0.02	0.2	RFMT20S + seal material
1	11.0	0.02	0.2	RFMT25S + seal material
1 1/2	21.0	0.02	0.2	RFMT40S + seal material
2	25.0	0.02	0.2	RFMT50S + seal material

## Ø Port PN16 Flange

1/2	2.4	0.02	0.2	RFMF15S + seal material
3/4	9.0	0.02	0.2	RFMF20S + seal material
1	11.0	0.02	0.2	RFMF25S + seal material
1 1/2	21.0	0.02	0.2	RFMF40S + seal material
2	25.0	0.02	0.2	RFMF50S + seal material

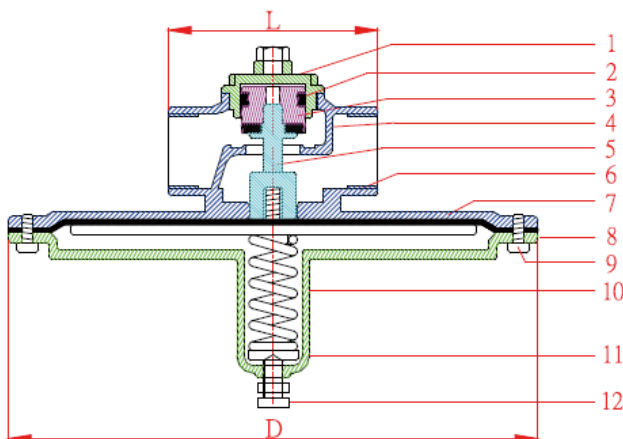
## OPTIONS

Pressure Gauge (316 Stainless steel)  
 Other ANSI150Lb, JIS10K, JIS20K flange or NPT or Rc thread options  
 Other custom made media, seal and pressure options available upon request

## CONSTRUCTION

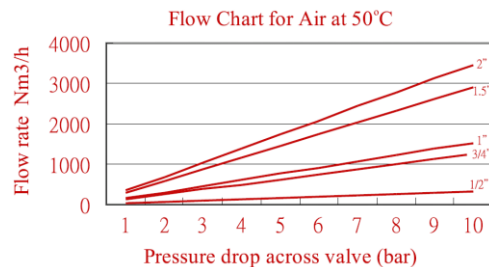
Body, Piston & shaft: 316 stainless steel  
 Seals: NBR or FKM  
 Spring: steel  
 Fixing bolts and adjusting stem: 304 stainless steel  
 Test Pressure: 16 Bar

## OVERALL DIMENSIONS



Part No:	Port	L mm	D
RFMT15	1/2 BSP	70	*
RFMT20	3/4 BSP	85	*
RFMT25	1 BSP	90	*
RFMT40	1 1/2 BSP	115	*
RFMT50	2 BSP	120	*

\* Diameter D depend on outlet pressure setting



No	Part	Material	No	Part	Material
1	Cover	Stainless steel 316	7	Diaphragm	Nylon - EPDM
2	U Ring	NBR	8	Spring cover	Stainless steel 316
3	Piston	Stainless steel 316	9	Stem	Stainless steel 304
4	Sealing	NBR	10	Spring	Spring steel
5	Shaft	Stainless steel 316	11	Washer	Brass
6	Main body	Stainless steel 316	12	Stem	Stainless steel 304