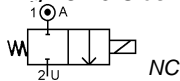


Media: air – water – gas – light oil - vacuum
 Pressure range: 0 to 40 Bar max
 Media temperature: +185°C max
 Ambient temperature: -10°C to +50°C max
 Media viscosity: 40 centistokes max
 Mounting: any position
 Weight (including coil) 510 g
 Opening: 15-20 Closing: 30 – 40 mSec Max



2/2 Stainless

1/4 - 3/8

NORMALLY CLOSED

2 WAY DIRECT ACTING

0 – 40 Bar

TYPE SC



PRESSURE

Ø Port BSP	Ø Orifice (mm)	Flow Kv Ltr/Min	Pressure Rating (Bar) ΔP				Seals	Part Number	
			Min	15 Watt Coil		18.5 Watt Coil			
				Max AC	Max DC	Max AC			Max DC
1/4 (SC08)	1.6	1.7	0	30	20	40	30	NBR +80C EPDM or FKM -10 to +145°C *PTFE, Ruby, Kalrez -20 to +185°C	SC + port +1 + seal + voltage + coil
	2.0	2.5	0	20	14	30	20		SC + port +2 + seal + voltage + coil
	2.5	3.3	0	14	10	20	14		SC + port +3 + seal + voltage + coil
	3.0	5.0	0	10	7	14	10		SC + port +4 + seal + voltage + coil
3/8 (SC10)	4.0	9.0	0	7	4	10	7		SC + port +5 + seal + voltage + coil
	5.0	13	0	5	3	7	4		SC + port +6 + seal + voltage + coil
	6.0	15.8	0	4	2	5	3		SC + port +7 + seal + voltage + coil
	7.5	18.3	0	3	1	3	2		SC + port +8 + seal + voltage + coil
	10.0	21.7	0	1	0.5	2	1		SC + port +9 + seal + voltage + coil

OPTIONS

IP65 Coil & Connector PG9 – DIN 43650 A
 NPT Thread
 High power 22005 18.5 Watt coil
 EPDM (J) Ø5.0mm Max or FKM (V) seals
 *PTFE (T) or Kalrez (Z) Max Ø 4mm or Ruby (R) Max Ø 3.0mm
 Explosion Proof Coil: EExmIT4 II ATEX 2G IP65 T 130°C (Pressure 50% of 18.5 Watt coil)
 Silver Shading Ring for AC voltages
 3/8 BSP Thread SC10* + seal

ELECTRICAL DATA

Voltage (-10% + 15%) Continuous duty 100%		Coil	Power Consumption		Insulation class	Enclosure	Electrical connections
~	=		Inrush	Holding			
~	12-24-48-110-230-380 (50/60 Hz)	22003	23 VA	17 VA	H 180°C	IP 65 with connector	3 spades DIN 43650 DIN 40050 VDE 0110
=	12-24-48-110-220 (DC)		15 Watts				
~	24-48-110-240 (50 or 60 Hz)	22005	33VA	24VA			
=	12-24-48-80-190 (DC)		18.5 Watts				

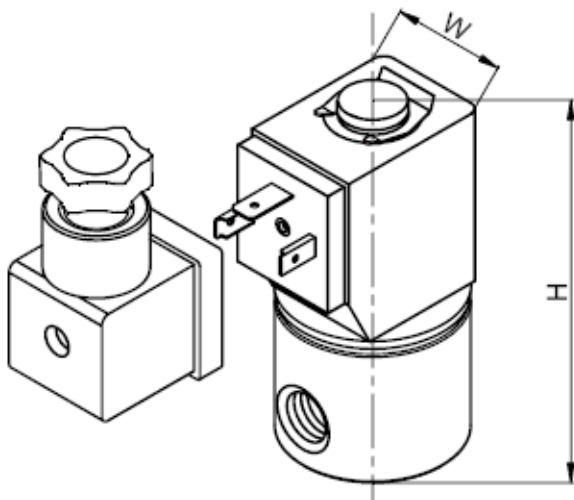
CONSTRUCTION

Body: AISI303 Stainless steel
 Tube and internal parts: AISI304 stainless steel
 Head & plunger: AISI 430Fr Stainless steel
 Seals and gaskets: FKM (Optional EPDM & NBR)
 Moulded coil: Resin

REPAIR KIT

Coil	Coil size (22003 or 22005) + voltage
Complete Armature assembly	SP + Valve Part Number -ARMATURE

OVERALL DIMENSIONS



Port	W 22003	W 22005	L	H	A	A1	B	Kg
SC08	30	36	40	85.5	13	7	M5	0.52
SC10	30	36	40	85.5	13	7	M5	0.59

