

Media: air – water – gas – light oil - vacuum
 Pressure range: 0 to 13 Bar max
 Media temperature: +120°C max
 Ambient temperature: -10°C to +50°C max
 Media viscosity: 50 centistokes max
 Mounting: any position
 Weight (including coil) 280 g
 Opening / Closing time: 15- 40 mSec Max



3/2 Stainless

1/8 – 1/4

NORMALLY CLOSED

3 WAY DIRECT ACTING

0 – 13 Bar

TYPE ST03/06



PRESSURE

Ø Port BSP	Ø Orifice (mm)		Flow Kv Ltr/Min	Min	Pressure Rating (Bar)				Seals	Part Number	
					Coil 22001 Max		Coil 830 Max				
	Body	Top	F 1	Function 2	F 1	Function 2					
1/8	0.8	1.0	0.3	0	10	10	13	13	Coil 22001 4.8 Watt -5 +80°C Coil 830 *6.8 Watt NBR +80°C *FKM +120°C *Kalrez +120°C	ST031F + seal + voltage + coil	
	1.0		0.5	0	7		10			10	ST032F + seal + voltage + coil
	1.2		0.8	0	5		7			7	ST033F + seal + voltage + coil
	1.6	1.2	1.5	0	4	7	5	10		ST034F + seal + voltage + coil	
	2.0		2.3	0	3		4			ST035F + seal + voltage+ coil	
	2.4		3	0	1		3			7	ST036F + seal + voltage + coil
3.0	1.5	3.8	0	0.5	5	1	7	ST037F + seal + voltage + coil			
1/4	0.8	1.0	0.3	0	10	10	13	13		ST061F + seal + voltage + coil	
	1.0		0.5	0	7		10			10	ST062F + seal + voltage + coil
	1.2		0.8	0	5		7			7	ST063F + seal + voltage + coil
	1.6	1.2	1.5	0	4	7	5	10		ST064F + seal + voltage + coil	
	2.0		2.3	0	3		4			ST065F + seal + voltage + coil	
	2.4		3	0	1		3		7	ST066F + seal + voltage + coil	
3.0	1.5	3.8	0	0.5	5	1	7	ST067F + seal + voltage + coil			

OPTIONS

IP65 Coil & Connector PG9 – DIN 43650B
 NPT Thread
 *830PL6 6.8 Watt High Power 30mm coil
 Silver Shading Ring for AC voltages
 ATEX 22001EX Coil: ATEX EExmIIT4 II 2G & 2D IP65 T130°C (Pressure same as coil 22001)
 *FKM Seals
 *Kalrez Seals
 Exhaust Accessories ST0**F= BSP Exhaust – blank=M5 female – P= 1/8 PT Male - C=Anti Dust Silent Cap

ELECTRICAL DATA

Voltage (-10% + 15%) Continuous duty 100%	Coil	Power Consumption		Insulation class	Enclosure	Electrical connections
		Inrush	Holding			
~ 24 - 48 - 110 - 230 - 380 (50 or 60 Hz)	22001	12VA	6.9VA	F 155°C	IP 65 with connector	3 spades DIN 43650 DIN 40050 VDE 0110
= 12 - 24 - 48 (DC)		4.8 Watts				
~ 24 - 48 - 110 - 230 (50 or 60 Hz)	830PL6	15VA	10.5VA			
= 12 - 24 (DC)		6.8 Watts				

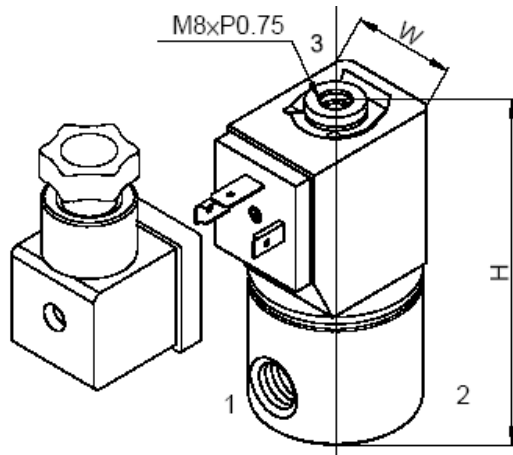
CONSTRUCTION

Body: AISI303 Stainless steel
 Tube and internal parts: AISI304 stainless steel
 Head & plunger: AISI 430Fr Stainless steel
 Seals and gaskets: NBR (Optional FKM, FFKM and Kalrez)
 Moulded coil: Duroplast / Thermo set resin
 Exhaust 1/8 BSP Female (See options above)

REPAIR KIT

Coil	Coil size (coil 22001 or coil 830PL6) + voltage
Complete plunger + O' rings	SP + Valve Part Number - ARMATURE

OVERALL DIMENSIONS



Port	L	W 22001 Coil	W 830 Coil	H	A	B
1/8	25	22	30	61	18	M4x0.7
1/4	30	22	30	65	23	M4x0.7

