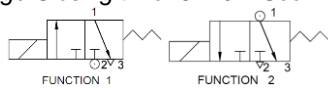


Media: air – water – gas – light oil - vacuum
 Pressure range: 0 to 16 Bar max
 Media temperature: -5°C to +145°C max
 Ambient temperature: -10°C to +50°C max
 Media viscosity: 50 centistokes max
 Mounting: any position
 Weight (including coil) 510g
 Opening / Closing time: 6- 20 mSec Max



3/2 Stainless

1/4 - 3/8

NORMALLY CLOSED 3 WAY DIRECT ACTING

0 – 16 Bar

TYPE ST08/10



PRESSURE

Ø Port BSP	Ø Orifice (mm)		Flow Kv Ltr/Min	Min	Pressure Rating (Bar)				Seals	Part Number
					Max 22003 Coil		Max 22005 Coil			
	Body	Top			F 1	Function 2	F 1	Function 2		
1/4	1.3	1.6	1.2	0	10	13	13	NBR -5 +80°C *FKM -10 +145°C *Kalrez -10 +145°C	ST081F + seal + voltage + coil	
	1.6		1.7	0	7		10		16	ST082F + seal + voltage + coil
	2.0		2.5	0	5		7		ST083F + seal + voltage + coil	
	2.5	2.0	3.3	0	4	10	5		ST084F + seal + voltage + coil	
	3.0		5.1	0	3		4		13	ST085F + seal + voltage + coil
	4.0	2.4	9	0	2	7	3		ST086F + seal + voltage + coil	
	5.0	2.8	13	0	1		2		10	ST087F + seal + voltage + coil
3/8	1.3	1.6	1.2	0	10	13	13	ST101F + seal + voltage + coil		
	1.6		1.7	0	7		10	16	ST102F + seal + voltage + coil	
	2.0		2.5	0	5		7	ST103F + seal + voltage + coil		
	2.5	2.0	3.3	0	4	10	5	ST104F + seal + voltage + coil		
	3.0		5.1	0	3		4	13	ST105F + seal + voltage + coil	
	4.0	2.4	9	0	2	7	3	ST106F + seal + voltage + coil		
	5.0	2.8	13	0	1		2	10	ST107F + seal + voltage + coil	

OPTIONS

IP65 Coil and Connector PG9 DIN43650A
 NPT Thread
 22005 18.5 Watt High Power coil
 ATEX 22003EX Coil: ATEX EExmIIT4 II 2G & 2D IP65 T130°C (Pressure same as 15 Watt 22003 coil)
 FKM (V) seal
 Kalrez (Z) seal
 Exhaust Accessories ST0**F= BSP Exhaust – blank=M5 female – P= 1/8 PT Male - C=Anti Dust Silent Cap
 Other custom made options available upon request

ELECTRICAL DATA

Voltage (-10% + 15%) Continuous duty 100%	Coil	Power Consumption		Insulation class	Enclosure	Electrical connections
		Inrush	Holding			
~ 12-24-48-110-220-240-380 (50/60 Hz)	22003	30VA	22VA	H 180°C	IP 65 with connector	3 spades DIN 43650 DIN 40050 VDE 0110
= 12-24-48-110-220 (DC)		15 Watts				
~ 24 - 48 - 110 – 230 (50 or 60 Hz)	22005	33VA	24VA			
= 12 - 24 - 48 – 110 - 220(DC)		18.5 Watts				

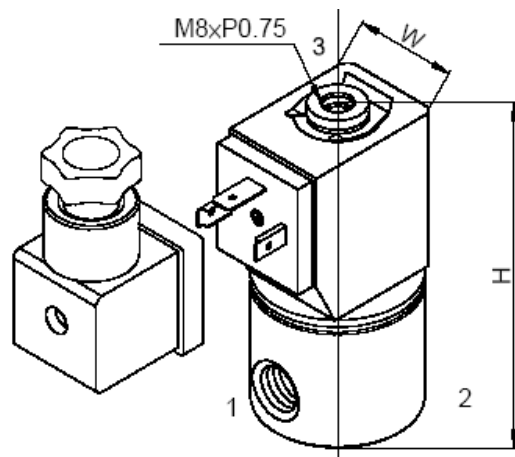
CONSTRUCTION

Body: AISI303 Stainless steel
 Tube and internal parts: AISI304 stainless steel
 Head & plunger: AISI 430Fr Stainless steel
 Seals and gaskets: FKM (Optional NBR)
 Moulded coil: Duroplast / Thermo set resin
 Exhaust 1/8 BSP Female (F) see options above

REPAIR KIT

Coil	Coil size (22003 or 22005) + voltage
Complete plunger + O' rings	SP + Valve Part Number -ARMATURE

OVERALL DIMENSIONS



Port	L	W 22003	W 22005	H	A	B
1/4	40	30	36	85.5	31	M5x0.8
3/8	40	30	36	85.5	31	M5x0.8

