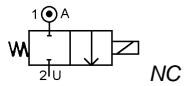


Media: mains gas - air  
 Pressure range: 0 to 200 mBar max  
 Media temperature: 60°C max  
 Ambient temperature: -15°C to +60°C  
 Mounting: coil upright  
 Opening - Closing Time: 1 Sec Max  
 EN161 Gas Approved



# EN161 Gas Valves

1/2 – 2" DN50 – DN150  
 NORMALLY CLOSED  
 Slam Shut Safety Valves  
 0 – 200mBar  
 TYPE VMR



## PRESSURE

Ø Port	Ø Orifice (mm)	Power Consumption		Pressure Rating (mBar)		Part Number
		Inrush	Hold	Min	Max mBar	
1/2	10	16		0	200	VMR120TN + 230vAC
3/4	20	25		0	200	VMR22 + 230vAC
1	25	45		0	200	VMR32 + 230vAC
1 1/4	32	120	30	0	200	VMR352 + 230vAC
1 1/2	40	120	30	0	200	VMR42 + 230vAC
2	50	120	30	0	200	VMR62 + 230vAC
DN65	65	180	45	0	200	VMR72 + 230vAC
DN80	80	180	45	0	200	VMR82 + 230vAC
DN100	100	280	70	0	200	VMR92 + 230vAC
DN125	125	320	80	0	200	VMR932 + 230vAC
DN150	150	320	80	0	200	VMR952 + 230vAC

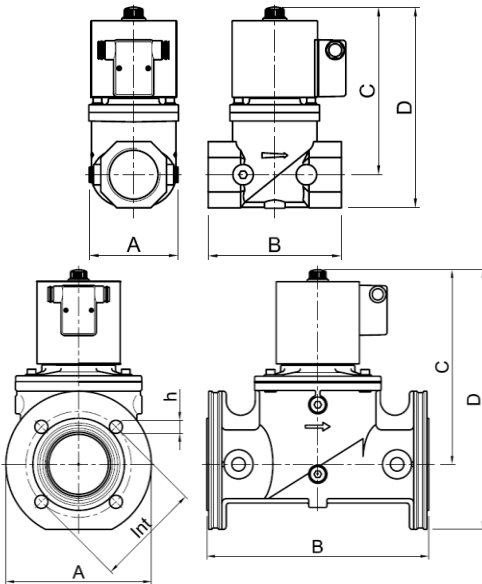
## OPTIONS

IP54 Coil & Connector PG9 – DIN 43650 A & Flow Adjustment, Metal mesh filter  
 Closed Position Indicator (KO1)  
 110vAC, 24vAC/DC or 12vAC/DC  
 360mBar (DN65-DN150), 500mBar (3/8-2") or 6 Bar (3/8 to DN100) AC 230-110vAC only  
 ATEX, Biogas or Coke Gas corrosive gases

## CONSTRUCTION

Body: Aluminium, (Except VMR120TN - Brass), Tube and internal parts: Stainless steel  
 Seals and gaskets: NBR  
 Moulded coil: Resin

## DIMENSIONS



Model	A	B	C	D	Int	Holes	Kg
VMR120TN	30	46	95	110			0.4
VMR22	88	96	150	164			2.5
VMR32	88	96	150	164			2.5
VMR352	120	153	188	220			5.7
VMR42	120	153	188	220			5.7
VMR62	106	156	192	230			6
VMR72	200	305	266	355	145	4X18	14
VMR82	200	305	266	355	160	8X18	14
VMR92	252	350	352	492	180	8X18	36
VMR932	310	460	430	600	210	8X18	58
VMR952	310	460	430	600	240	8X22	60

